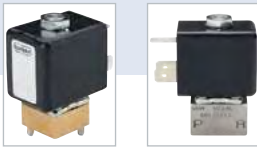




Plunger valve 2/2 way direct-acting

- Direct-acting and compact valve with diameter of up to DN 2.4
- Central screwed coil system
- Simple and quick flange or manifold installation
- Quick coupling (push-in fitting) for plug-in hose connections



Product variants described in the data sheet may differ from the product presentation and description.

Type description

Valve 7011 is a direct-acting plunger valve. The stopper and plunger guide tube are welded together to enhance pressure resistance and leak-tightness. Various seal material combinations are available depending on the application. A Bürkert-specific flange design (SFB) enables space-saving arrangement of valves on a manifold. Push-in fittings can be selected for flexible hose connection. In combination with a cable plug in accordance with industry standard Form B or DIN EN 175301 - 803 Form C, the valves satisfy protection class IP65.

Table of contents

1. General technical data	3
2. Circuit functions	4
3. Materials	4
3.1. Chemical Resistance Chart – Bürkert resistApp.....	4
3.2. Material specifications	4
Standard version.....	4
4. Dimensions	5
4.1. Standard version.....	5
Versions according to industry standard Form B	5
Further electrical connections.....	6
PIN Assignments	6
4.2. Multiple manifold	7
5. Performance specifications	8
5.1. Power consumption of standard coil version 24.5 mm	8
5.2. Power consumption of coil version 20 mm	9
6. Ordering information	9
6.1. Bürkert eShop – Easy ordering and quick delivery.....	9
6.2. Bürkert product filter	10
6.3. Ordering chart.....	10
Standard version according to industry standard Form B, coil size 24.5 mm.....	10
Standard version according to industry standard Form B, coil size 20 mm.....	13
Additional options.....	15
6.4. Ordering chart accessories.....	16
Accessories for manifolds	16
Cable plug Type 2516 acc. to DIN EN 175301 - 803 Form C	16
Cable plug Type 2507 acc. to industry standard Form B	16

1. General technical data

Product properties	
Dimensions	Detailed information can be found in chapter "4. Dimensions" on page 5.
Material	
Body	Brass, polyamide (PA), stainless steel 1.4305
Seal	FKM, EPDM
Weight	
Standard version 24.5 mm solenoid coil	146 g (with G 1/8)
Standard version 20 mm solenoid coil	120 g (with G 1/8)
Circuit function	Detailed information can be found in chapter "2. Circuit functions" on page 4.
Thermal insulation class of solenoid	Epoxy: class H
Manual override	Optional
Electrical data	
Operating voltage	24 V DC, 24 V / 50 Hz, 230 V / 50 Hz
Voltage tolerance	± 10 %
Performance data	
Nominal operating mode	
Single valve	Continuous operation 100 % ED resp. 50 % ED
For block mounting on multiple manifold	With 4 W/5 W solenoid coil 100 % ED (at max. 55 °C)
Switching times ¹⁾ standard version	Orifice 1.2...2.4 mm: opening 8...15 ms, closing 10...17 ms
Circuit function	A
Medium data	
Viscosity (max.)	21 mm ² /s
Operating medium	Neutral gases and fluids (e.g. compressed air, water, hydraulic oil, technical vacuum)
Medium temperature standard version	- 10 °C...+ 100 °C
Process/Port connection & communication	
Port connection standard version	M5, G 1/8, flange
Electrical connection	<ul style="list-style-type: none"> • Acc. to DIN EN 175301 - 803 Form C for cable plug Type 2516 • Acc. to industry standard Form B for cable plug Type 2507 • Flat pin terminal as protection class III device • Flying leads connection on request for coil size 20 mm
Approvals and certificates	
Degree of protection	IP65 with cable plug
Environment and installation	
Installation position	As required, preferably with actuator upright
Ambient temperature standard version	Max. +55 °C resp. 75 °C depending on power level


1.) Measured at valve outlet at 6 bar and +20 °C according to ISO 12238, opening: pressure rise 0...10 %, closing: pressure drop 100...90 %

2. Circuit functions

Circuit functions	Description
	Type: A, solenoid valve 2/2 way Direct-acting Normally closed

3. Materials

3.1. Chemical Resistance Chart – Bürkert resistApp



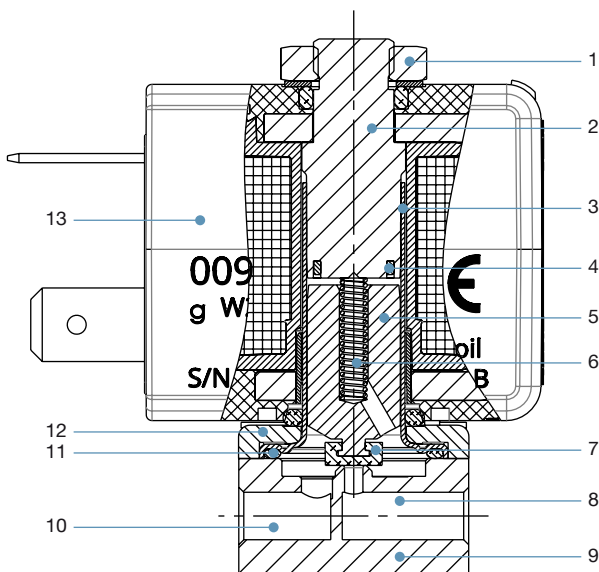
Bürkert resistApp – Chemical Resistance Chart

You want to ensure the reliability and durability of the materials in your individual application case? Verify your combination of media and materials on our website or in our resistApp.

[Start Chemical Resistance Check](#)

3.2. Material specifications

Standard version



No.	Element	Material
1	Locknut	DIN 176 Surface finish thick film passivated KOSA0101
2	Stopper	Stainless steel 1.4113
3	Guide tube	Stainless steel 1.4303 ST
4	Shading ring	Copper, (optional silver)
5	Core	Stainless steel 1.4113
6	Spring	Stainless steel 1.4310
7	Seal	FKM/EPDM
8	Pressure port A	–
9	Valve body	Brass, stainless steel 1.4305 PA (polyamide)
10	Pressure port P	–
11	O-Ring	FKM/EPDM
12	Flange	<ul style="list-style-type: none"> • Surface finish thick film passivated KOSA0101 (brass version) • Nickel-plated surface (stainless steel version)
13	Coil	Epoxy

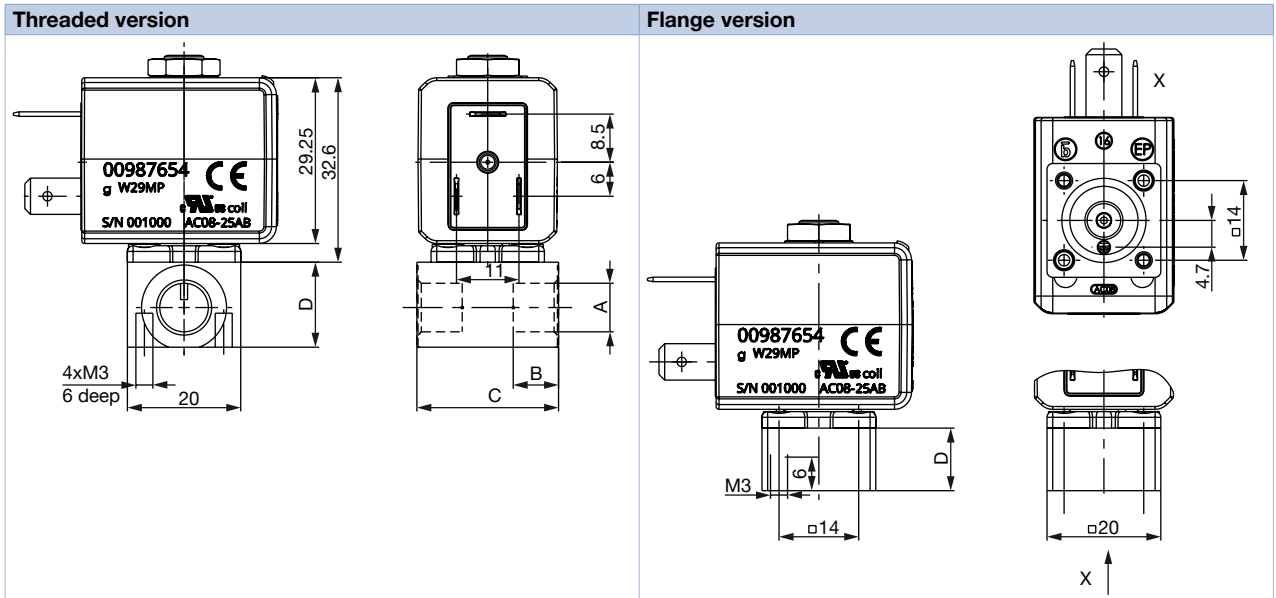
4. Dimensions

4.1. Standard version

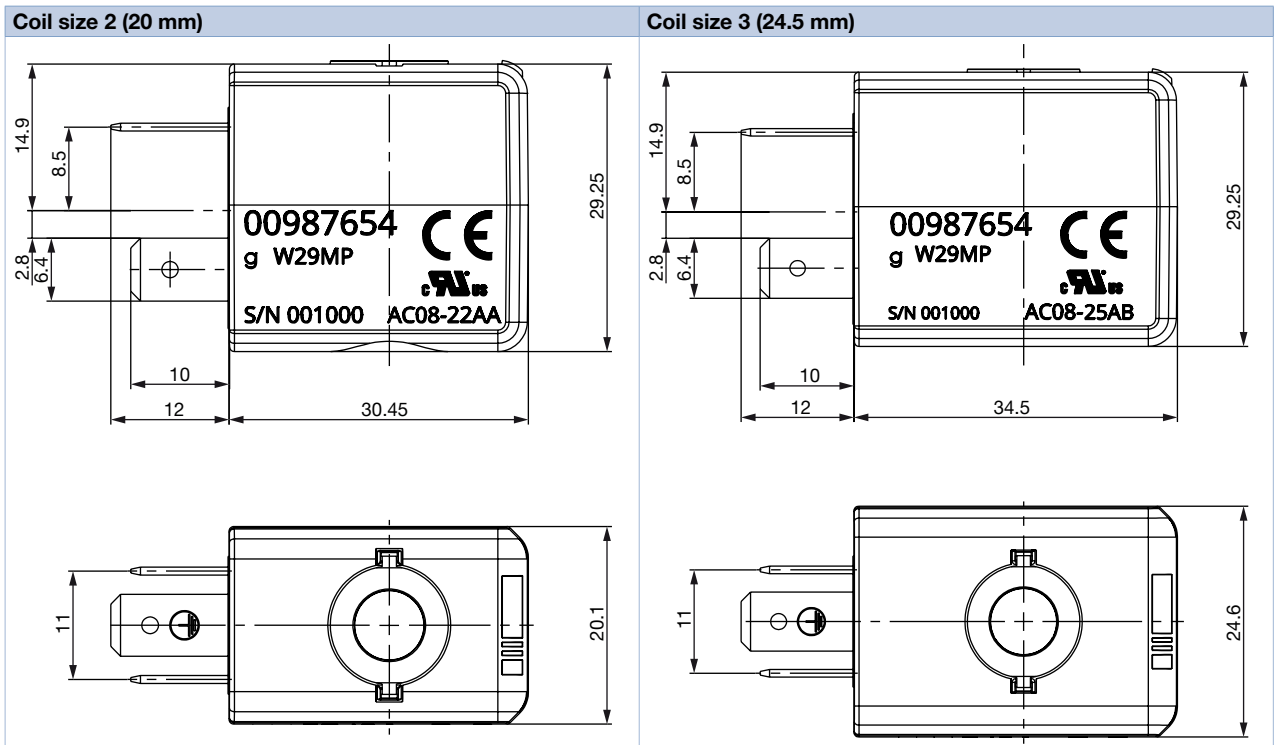
Versions according to industry standard Form B

Note:

Dimensions in mm



Port connection	A	B	C	D
Thread	M5	5	20	10
Thread	G 1/8	8	25	15
Flange	-	-	20	11

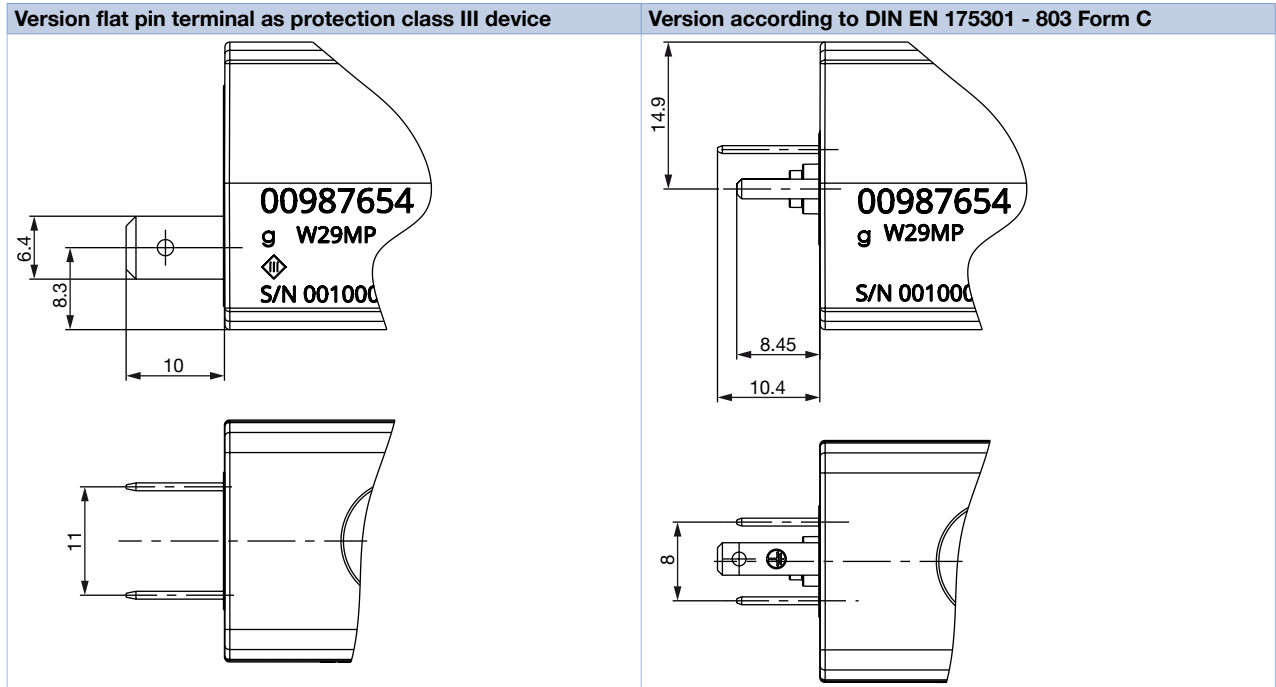


DTS 1000446515 EN Version: A Status: RL (released | freigegeben | valide) printed: 07.10.2020

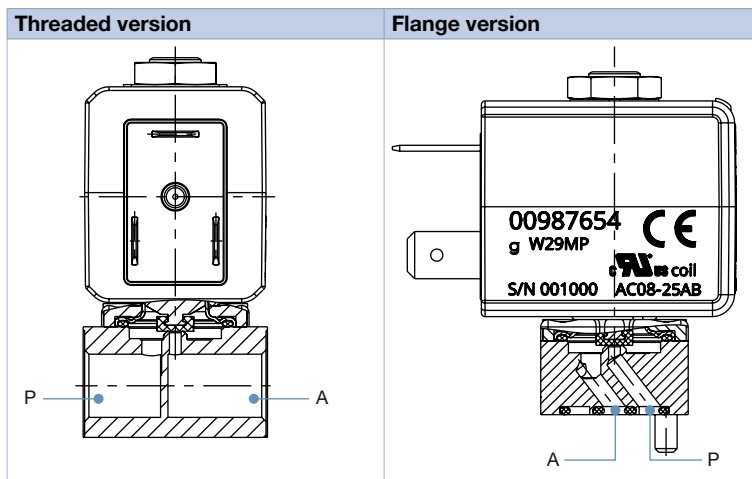
Further electrical connections

Note:

- Specifications apply to coil sizes 20 mm and 24.5 mm
- Dimensions in mm



PIN Assignments

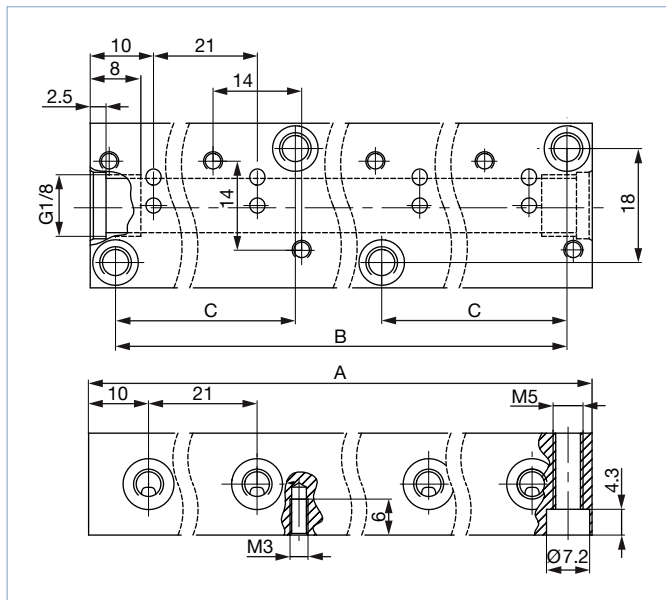


DTS 1000446515 EN Version: A Status: RL (released | freigegeben | valide) printed: 07.10.2020

4.2. Multiple manifold

Note:

- Dimensions in mm
- Can only be combined with valves with coil size 20 mm
- Manifolds with valves of coil size 24.5 mm on request



Quantity of valve places	A [mm]	B [mm]	C [mm]	Article no.
1	20	12	–	005312
2	41	33	–	005355
3	62	54	–	005313
4	83	75	–	005314
5	104	96	–	005315
6	125	117	–	005316
7	146	138	–	005893
8	167	159	54	005166
9	188	180	54	005241
10	209	201	75	005819
11	230	222	75	005242
12	251	243	96	005222

5. Performance specifications

5.1. Power consumption of standard coil version 24.5 mm

Coil	Orifice [mm]	Electrical power					Switching times ^{1.)}	
		Inrush AC [VA]	Hold AC [VA]	[W]	DC Cold [W]	Hot [W]	Opening [ms]	Closing [ms]
24 V / DC / 7 W	1.2	–	–	–	7	5.5	8...15	10...17
	1.6							
	2.0							
	2.4							
24 V / 50 Hz / 6 W	1.2	14	8	6	–	–		
	1.6							
	2.0							
	2.4							
230 V / 50 Hz / 6 W	1.2	14	8	6	–	–		
	1.6							
	2.0							
	2.4							
24 V / DC / 5.5 W	1.2	–	–	–	5.5	4.5		
	1.6							
	2.0							
	2.4							
24 V / 50 Hz / 4 W	1.2	12	6.5	4	–	–		
	1.6							
	2.0							
	2.4							
230 V / 50 Hz / 4 W	1.2	12	6.5	4	–	–		
	1.6							
	2.0							
	2.4							
24 V / DC / 13 W	1.2	–	–	–	13	10		
	1.6							
	2.0							
	2.4							
24 V / DC / 10 W	1.2	–	–	–	10	8.5		
	1.6							
	2.0							
	2.4							

1.) Measured at valve outlet at 6 bar^{2.)} and +20 °C according to ISO 12238, opening: pressure rise 0...10%, closing: pressure drop 100...90%

2.) Measured as overpressure to the atmospheric pressure and air as a medium

5.2. Power consumption of coil version 20 mm

Coil	Orifice [mm]	Electrical power					Switching times ¹⁾	
		Inrush AC	Hold AC		DC		Opening	Closing
		[VA]	[VA]	[W]	Cold [W]	Hot [W]	[ms]	[ms]
24 V / DC / 6.5 W	1.2	–	–	–	6.5	5	8...15	10...17
	1.6							
	2.0							
	2.4							
24 V / 50 Hz / 6 W	1.2	11	7	6	–	–		
	1.6							
	2.0							
	2.4							
230 V / 50 Hz / 6 W	1.2	11	7	6	–	–		
	1.6							
	2.0							
	2.4							
24 V / DC / 5 W	1.2	–	–	–	5	4		
	1.6							
	2.0							
	2.4							
24 V / 50 Hz / 4 W	1.2	9	5	4	–	–		
	1.6							
	2.0							
	2.4							
230 V / 50 Hz / 4 W	1.2	9	5	4	–	–		
	1.6							
	2.0							
	2.4							
24 V / DC / 13 W	1.2	–	–	–	13	10		
	1.6							
	2.0							
	2.4							
24 V / DC / 10 W	1.2	–	–	–	10	8.5		
	1.6							
	2.0							
	2.4							

1.) Measured at valve outlet at 6 bar²⁾ and +20 °C according to ISO 12238, opening: pressure rise 0...10 %, closing: pressure drop 100...90 %

2.) Measured as overpressure to the atmospheric pressure and air as a medium

6. Ordering information

6.1. Bürkert eShop – Easy ordering and quick delivery




Bürkert eShop – Easy ordering and fast delivery

You want to find your desired Bürkert product or spare part quickly and order directly? Our online shop is available for you 24/7. Sign up and enjoy all the benefits.

[Order online now](#)

6.2. Bürkert product filter



Bürkert product filter – Get quickly to the right product

You want to select products comfortably based on your technical requirements? Use the Bürkert product filter and find suitable articles for your application quickly and easily.

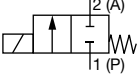
[Try out our product filter](#)

6.3. Ordering chart

Standard version according to industry standard Form B, coil size 24.5 mm

Note:

All valves without cable plug

Circuit function	Port connection	Orifice	K _v value H ₂ O ¹⁾	Voltage/ Frequency/Power	Maximum duty cycle	Medium pressure [bar] ^{2) 3)}		Article no. Body material Brass	Article no. Body material stainless steel				
						Ambient temperature 75 °C	Ambient temperature 55 °C						
						Air	Air						
A, solenoid valve 2/2 way Direct-acting Normally closed 	M5	1.2	0.045	24 V / DC / 7 W	100 % ED	–	0...23	380543	389721				
				24 V / 50 Hz / 6 W		–	0...45	389723	389726				
				230 V / 50 Hz / 6 W		–	0...45	389738	389739				
				24 V / DC / 5.5 W		0...16	–	389740	389742				
				24 V / DC / 5.5 W		–	0...19	X	X				
				24 V / 50 Hz / 4 W		0...42	0...42	389744	389746				
				230 V / 50 Hz / 4 W		0...42	0...42	389751	389750				
				24 V / DC / 13 W		50 % ED	0...45	X	X				
				24 V / DC / 10 W		0...35	–	X	X				
				24 V / DC / 10 W		–	0...37	X	X				
				24 V / DC / 7 W		1.6	0.06	24 V / DC / 7 W	100 % ED	–	0...13	385450	389753
				24 V / 50 Hz / 6 W				–		0...30	389757	389755	
		230 V / 50 Hz / 6 W	–	0...30	389759			389761					
		24 V / DC / 5.5 W	0...9	–	389765			389762					
		24 V / DC / 5.5 W	–	0...10.5	X			X					
		24 V / 50 Hz / 4 W	0...24	0...24	389781			389783					
		230 V / 50 Hz / 4 W	0...24	0...24	389786			389785					
		24 V / DC / 13 W	50 % ED	0...25	X			X					
		24 V / DC / 10 W	0...20	–	X			X					
		24 V / DC / 10 W	–	0...22	X			X					
		24 V / DC / 7 W	2.0	0.11	24 V / DC / 7 W			100 % ED		–	0...9	385455	389787
		24 V / 50 Hz / 6 W			–					0...22	389791	389789	
		230 V / 50 Hz / 6 W			–	0...22	389793		389794				
		24 V / DC / 5.5 W			0...6.5	–	389797		389795				
24 V / DC / 5.5 W	–	0...7			X	X							
24 V / 50 Hz / 4 W	0...18	0...18			389799	389799							
230 V / 50 Hz / 4 W	0...18	0...18			389801	389802							
24 V / DC / 13 W	50 % ED	0...19			X	X							
24 V / DC / 10 W	0...14	–			X	X							
24 V / DC / 10 W	–	0...16			X	X							

DTS 1000446515 EN Version: A Status: RL (released | freigegeben | valide) printed: 07.10.2020

Circuit function	Port connection	Orifice	K _v value H ₂ O ¹⁾	Voltage/ Frequency/Power	Maximum duty cycle	Medium pressure [bar] ^{2) 3)}		Article no. Body material Brass	Article no. Body material stainless steel			
						Ambient temperature 75 °C	Ambient temperature 55 °C					
		[mm]	[m ³ /h]	[V/Hz/W]	Air	Air	FKM seal					
A, solenoid valve 2/2 way Direct-acting Normally closed 	M5	2.4	0.13	24 V / DC / 7 W	100 % ED	–	0...5	385457	389805			
				24 V / 50 Hz / 6 W		–	0...13	389807	389809			
				230 V / 50 Hz / 6 W		–	0...13	389811	389812			
				24 V / DC / 5.5 W		0...3.5	–	389813	389815			
				24 V / DC / 5.5 W		–	0...4	X	X			
				24 V / 50 Hz / 4 W		0...10	0...10	389817	389819			
				230 V / 50 Hz / 4 W		0...10	0...10	389821	389822			
				24 V / DC / 13 W		50 % ED	–	0...10	X	X		
				24 V / DC / 10 W			0...7	–	X	X		
				24 V / DC / 10 W	–		0...8	X	X			
				G 1/8	1.2	0.045	24 V / DC / 7 W	100 % ED	–	0...23	375821	375828
							24 V / 50 Hz / 6 W		–	0...45	389532	389540
							230 V / 50 Hz / 6 W		–	0...45	376225	376235
							24 V / DC / 5.5 W		0...16	–	375852	375860
							24 V / DC / 5.5 W		–	0...19	X	X
							24 V / 50 Hz / 4 W		0...42	0...42	389537	389544
							230 V / 50 Hz / 4 W	0...42	0...42	376005	376013	
							24 V / DC / 13 W	50 % ED	–	0...45	X	X
	24 V / DC / 10 W	0...35	–				X		X			
	24 V / DC / 10 W	–	0...37				X		X			
	1.6	0.06	24 V / DC / 7 W				100 % ED	–	0...13	374309	375829	
			24 V / 50 Hz / 6 W					–	0...30	389657	389658	
			230 V / 50 Hz / 6 W		–	0...30		375969	375980			
			24 V / DC / 5.5 W		0...9	–		375853	375861			
			24 V / DC / 5.5 W		–	0...10.5		X	X			
			24 V / 50 Hz / 4 W		0...24	0...24		389661	389662			
		230 V / 50 Hz / 4 W	0...24		0...24	376006	376015					
		24 V / DC / 13 W	50 % ED		–	0...25	X	X				
		24 V / DC / 10 W			0...20	–	X	X				
		24 V / DC / 10 W			–	0...22	X	X				
		2.0	0.11		24 V / DC / 7 W	100 % ED	–	0...9	375822	375830		
					24 V / 50 Hz / 6 W		–	0...22	389677	389680		
	230 V / 50 Hz / 6 W				–		0...22	375970	375981			
	24 V / DC / 5.5 W				0...6.5		–	375854	375862			
	24 V / DC / 5.5 W			–	0...7		X	X				
	24 V / 50 Hz / 4 W			0...18	0...18		389672	389669				
	230 V / 50 Hz / 4 W		0...18	0...18	376007	376016						
	24 V / DC / 13 W		50 % ED	–	0...19	X	X					
	24 V / DC / 10 W			0...14	–	X	X					
	24 V / DC / 10 W			–	0...16	X	X					
	2.4		0.13	24 V / DC / 7 W	100 % ED	–	0...5	375823	375831			
				24 V / 50 Hz / 6 W		–	0...13	375855	375863			
		230 V / 50 Hz / 6 W		–		0...13	375971	375982				
		24 V / DC / 5.5 W		0...3.5		–	375855	375863				
		24 V / DC / 5.5 W		–		0...4	X	X				
		24 V / 50 Hz / 4 W		0...10		0...10	389696	389697				
		230 V / 50 Hz / 4 W	0...10	0...10	376008	376017						
		24 V / DC / 13 W	50 % ED	–	0...10	X	X					
24 V / DC / 10 W		0...7		–	X	X						
24 V / DC / 10 W		–		0...8	X	X						

DTS 1000446515 EN Version: A Status: RL (released | freigegeben | valide) printed: 07.10.2020

Circuit function	Port connection	Orifice	K _v value H ₂ O ^{1.)}	Voltage/ Frequency/Power	Maximum duty cycle	Medium pressure [bar] ^{2.) 3.)}		Article no. Body material Brass	Article no. Body material stainless steel			
						Ambient temperature 75 °C	Ambient temperature 55 °C					
		[mm]	[m ³ /h]	[V/Hz/W]	Air	Air	FKM seal					
A, solenoid valve 2/2 way Direct-acting Normally closed 	FK01	1.2	0.045	24 V / DC / 7 W	100 % ED	-	0...23	375836	375844			
				24 V / 50 Hz / 6 W		-	0...4 5	389699	389700			
				230 V / 50 Hz / 6 W		-	0...45	375987	375996			
				24 V / DC / 5.5 W		0...16	-	375868	375876			
				24 V / DC / 5.5 W		-	0...19	X	X			
				24 V / 50 Hz / 4 W		0...42	0...42	389704	389703			
				230 V / 50 Hz / 4 W		0...42	0...42	376023	376031			
				24 V / DC / 13 W		50 % ED	-	X	X			
				24 V / DC / 10 W			0...35	-	X	X		
				24 V / DC / 10 W			-	0...37	X	X		
				1.6		0.06	24 V / DC / 7 W	100 % ED	-	0...13	375837	375845
							24 V / 50 Hz / 6 W		-	0...30	389705	389706
		230 V / 50 Hz / 6 W	-		0...30		375988		375997			
		24 V / DC / 5.5 W	0...9		-		375869		375877			
		24 V / DC / 5.5 W	-		0...10.5		X		X			
		24 V / 50 Hz / 4 W	0...24		0...24		389708		389709			
		230 V / 50 Hz / 4 W	0...24		0...24		376024		376032			
		24 V / DC / 13 W	50 % ED		-		0...25		X	X		
		24 V / DC / 10 W			0...20		-		X	X		
		24 V / DC / 10 W			-		0...22		X	X		
		2.0	0.11		24 V / DC / 7 W		100 % ED		-	0...9	375838	375846
					24 V / 50 Hz / 6 W				-	0...22	389711	389712
				230 V / 50 Hz / 6 W	-	0...22		375989	375999			
				24 V / DC / 5.5 W	0...6.5	-		375870	375878			
				24 V / DC / 5.5 W	-	0...7		X	X			
				24 V / 50 Hz / 4 W	0...18	0...18		389714	389715			
				230 V / 50 Hz / 4 W	0...18	0...18		376025	376033			
				24 V / DC / 13 W	50 % ED	-		0...19	X	X		
				24 V / DC / 10 W		0...14		-	X	X		
				24 V / DC / 10 W		-		0...16	X	X		
				2.4	0.13	24 V / DC / 7 W		100 % ED	-	0...5	375839	375847
						24 V / 50 Hz / 6 W			-	0...13	389716	389717
		230 V / 50 Hz / 6 W	-			0...13	375990		376000			
		24 V / DC / 5.5 W	0...3.5			-	375871		375879			
		24 V / DC / 5.5 W	-			0...4	X		X			
		24 V / 50 Hz / 4 W	0...10			0...10	389719		389718			
		230 V / 50 Hz / 4 W	0...10			0...10	376026		376034			
		24 V / DC / 13 W	50 % ED			-	0...10		X	X		
		24 V / DC / 10 W				0...7	-		X	X		
		24 V / DC / 10 W				-	0...8		X	X		

X: on request

1.) Flow value for water, measured at +20 °C, 1 bar^{2.)} pressure at valve inlet and free outlet

2.) Measured as overpressure to the atmospheric pressure and air as a medium

3.) Number of switching cycles under laboratory conditions (FKM seal, oiled air, unpressurised): 5 million. Please note that an increase in switching pressure can limit the life of the seat seal.

Standard version according to industry standard Form B, coil size 20 mm

Note:

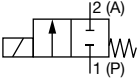
All valves without cable plug

Circuit function	Port connection	Orifice	K _v value H ₂ O ¹⁾	Voltage/ Frequency/Power	Maximum duty cycle	Medium pressure [bar] ^{2) 3)}		Article no. Body material Brass	Article no. Body material stainless steel			
						Ambient temperature 75 °C	Ambient temperature 55 °C					
		[mm]	[m ³ /h]	[V/Hz/W]	Air	Air	FKM seal					
A, solenoid valve 2/2 way Direct-acting Normally closed 	M5	1.2	0.045	24 V / DC / 6.5 W	100 % ED	-	0...13	X	X			
				24 V / 50 Hz / 6 W		-	0...35	X	X			
				230 V / 50 Hz / 6 W		-	0...35	X	X			
				24 V / DC / 5 W		0...9	-	X	X			
				24 V / DC / 5 W		-	0...11	X	X			
				24 V / 50 Hz / 4 W		0...27	0...27	X	X			
				230 V / 50 Hz / 4 W	0...27	0...27	X	X				
				24 V / DC / 13 W	50 % ED	-	0...32	X	X			
				24 V / DC / 10 W		0...25	-	X	X			
				24 V / DC / 10 W		-	0...30	X	X			
				1.6	0.06	24 V / DC / 6.5 W	100 % ED	-	0...8.5	X	X	
						24 V / 50 Hz / 6 W		-	0...24	X	X	
		230 V / 50 Hz / 6 W	-			0...24		X	X			
		24 V / DC / 5 W	0...5.5			-		X	X			
		24 V / DC / 5 W	-			0...6.5		X	X			
		24 V / 50 Hz / 4 W	0...17			0...17		X	X			
		230 V / 50 Hz / 4 W	0...17			0...17	X	X				
		24 V / DC / 13 W	50 % ED			-	0...22	X	X			
		24 V / DC / 10 W				0...17	-	X	X			
		24 V / DC / 10 W				-	0...18	X	X			
		2.0	0.11			24 V / DC / 6.5 W	100 % ED	-	0...6	X	X	
						24 V / 50 Hz / 6 W		-	0...14	X	X	
				230 V / 50 Hz / 6 W	-	0...14		X	X			
				24 V / DC / 5 W	0...4	-		X	X			
				24 V / DC / 5 W	-	0...4.5		X	X			
				24 V / 50 Hz / 4 W	0...10	0...10		X	X			
				230 V / 50 Hz / 4 W	0...10	0...10	X	X				
				24 V / DC / 13 W	50 % ED	-	0...15	X	X			
				24 V / DC / 10 W		0...12	-	X	X			
				24 V / DC / 10 W		-	0...13	X	X			
				2.4	0.13	24 V / DC / 6.5 W	100 % ED	-	0...3	X	X	
						24 V / 50 Hz / 6 W		-	0...9	X	X	
		230 V / 50 Hz / 6 W	-			0...9		X	X			
		24 V / DC / 5 W	0...2			-		X	X			
		24 V / DC / 5 W	-			0...2.5		X	X			
		24 V / 50 Hz / 4 W	0...6.5			0...6.5		X	X			
		230 V / 50 Hz / 4 W	0...6.5			0...6.5	X	X				
		24 V / DC / 13 W	50 % ED			-	0...8	X	X			
		24 V / DC / 10 W				0...6	-	X	X			
		24 V / DC / 10 W				-	0...6.5	X	X			
		G 1/8	1.2			0.045	24 V / DC / 6.5 W	100 % ED	-	0...13	X	X
							24 V / 50 Hz / 6 W		-	0...35	X	X
				230 V / 50 Hz / 6 W	-		0...35		X	X		
				24 V / DC / 5 W	0...9		-		X	X		
				24 V / DC / 5 W	-		0...11		X	X		
				24 V / 50 Hz / 4 W	0...27		0...27		X	X		
				230 V / 50 Hz / 4 W	0...27		0...27	X	X			
				24 V / DC / 13 W	50 % ED		-	0...32	X	X		
24 V / DC / 10 W	0...25			-			X	X				
24 V / DC / 10 W	-			0...30			X	X				

DTS 1000446515 EN Version: A Status: RL (released | freigegeben | valide) printed: 07.10.2020

Circuit function	Port connection	Orifice	K _v value H ₂ O ¹⁾	Voltage/ Frequency/Power	Maximum duty cycle	Medium pressure [bar] ^{2) 3)}		Article no. Body material Brass	Article no. Body material stainless steel				
						Ambient temperature 75 °C	Ambient temperature 55 °C						
		[mm]	[m ³ /h]	[V/Hz/W]		Air	Air	FKM seal					
A, solenoid valve 2/2 way Direct-acting Normally closed 	G 1/8	1.6	0.06	24 V / DC / 6.5 W	100 % ED	-	0...8.5	X	X				
				24 V / 50 Hz / 6 W		-	0...24	X	X				
				230 V / 50 Hz / 6 W		-	0...24	X	X				
				24 V / DC / 5 W		0...5.5	-	X	X				
				24 V / DC / 5 W		-	0...6.5	X	X				
				24 V / 50 Hz / 4 W		0...17	0...17	X	X				
				230 V / 50 Hz / 4 W		0...17	0...17	X	X				
				24 V / DC / 13 W		50 % ED	-	0...22	X	X			
				24 V / DC / 10 W			0...17	-	X	X			
				24 V / DC / 10 W			-	0...18	X	X			
				24 V / DC / 6.5 W		100 % ED	2.0	0.11	24 V / DC / 6.5 W	-	0...6	X	X
				24 V / 50 Hz / 6 W					-	0...14	X	X	
		230 V / 50 Hz / 6 W	-	0...14	X				X				
		24 V / DC / 5 W	0...4	-	X				X				
		24 V / DC / 5 W	-	0...4.5	X				X				
		24 V / 50 Hz / 4 W	0...10	0...10	X				X				
		230 V / 50 Hz / 4 W	0...10	0...10	X				X				
		24 V / DC / 13 W	50 % ED	-	0...15				X	X			
		24 V / DC / 10 W		0...12	-				X	X			
		24 V / DC / 10 W		-	0...13				X	X			
		24 V / DC / 6.5 W	100 % ED	2.4	0.13				24 V / DC / 6.5 W	-	0...3	X	X
		24 V / 50 Hz / 6 W							-	0...9	X	X	
		230 V / 50 Hz / 6 W				-	0...9	X	X				
		24 V / DC / 5 W				0...2	-	X	X				
	24 V / DC / 5 W	-				0...2.5	X	X					
	24 V / 50 Hz / 4 W	0...6.5				0...6.5	X	X					
	230 V / 50 Hz / 4 W	0...6.5				0...6.5	X	X					
	24 V / DC / 13 W	50 % ED				-	0...8	X	X				
	24 V / DC / 10 W					0...6	-	X	X				
	24 V / DC / 10 W					-	0...6.5	X	X				
	24 V / DC / 6.5 W	100 % ED				FK01	1.2	0.045	24 V / DC / 6.5 W	-	0...13	X	X
	24 V / 50 Hz / 6 W								-	0...35	X	X	
	230 V / 50 Hz / 6 W		-	0...35	X				X				
	24 V / DC / 5 W		0...9	-	X				X				
	24 V / DC / 5 W		-	0...11	X				X				
	24 V / 50 Hz / 4 W		0...27	0...27	X				X				
	230 V / 50 Hz / 4 W		0...27	0...27	X				X				
	24 V / DC / 13 W		50 % ED	-	0...32				X	X			
	24 V / DC / 10 W			0...25	-				X	X			
	24 V / DC / 10 W			-	0...30				X	X			
	24 V / DC / 6.5 W		100 % ED	1.6	0.06				24 V / DC / 6.5 W	-	0...8.5	X	X
	24 V / 50 Hz / 6 W								-	0...24	X	X	
	230 V / 50 Hz / 6 W	-				0...24	X	X					
	24 V / DC / 5 W	0...5.5				-	X	X					
	24 V / DC / 5 W	-				0...6.5	X	X					
	24 V / 50 Hz / 4 W	0...17				0...17	X	X					
	230 V / 50 Hz / 4 W	0...17				0...17	X	X					
	24 V / DC / 13 W	50 % ED				-	0...22	X	X				
24 V / DC / 10 W	0...17					-	X	X					
24 V / DC / 10 W	-					0...18	X	X					

DTS 1000446515 EN Version: A Status: RL (released | freigegeben | validé) printed: 07.10.2020

Circuit function	Port connection	Orifice	K _v value H ₂ O ^{1.)}	Voltage/ Frequency/Power	Maximum duty cycle	Medium pressure [bar] ^{2.) 3.)}		Article no. Body material Brass	Article no. Body material stainless steel	
						Ambient temperature 75 °C	Ambient temperature 55 °C			
		[mm]	[m ³ /h]	[V/Hz/W]		Air	Air	FKM seal		
A, solenoid valve 2/2 way Direct-acting Normally closed 	FK01	2.0	0.11	24 V / DC / 6.5 W	100 % ED	–	0...6	X	X	
				24 V / 50 Hz / 6 W		–	0...14	X	X	
				230 V / 50 Hz / 6 W		–	0...14	X	X	
				24 V / DC / 5 W		0...4	–	X	X	
				24 V / DC / 5 W		–	0...4.5	X	X	
				24 V / 50 Hz / 4 W		0...10	0...10	X	X	
				230 V / 50 Hz / 4 W		0...10	0...10	X	X	
				24 V / DC / 13 W		50 % ED	–	0...15	X	X
				24 V / DC / 10 W			0...12	–	X	X
				24 V / DC / 10 W			–	0...13	X	X
		2.4	0.13	24 V / DC / 6.5 W	100 % ED	–	0...3	X	X	
				24 V / 50 Hz / 6 W		–	0...9	X	X	
				230 V / 50 Hz / 6 W		–	0...9	X	X	
				24 V / DC / 5 W		0...2	–	X	X	
				24 V / DC / 5 W		–	0...2.5	X	X	
				24 V / 50 Hz / 4 W		0...6.5	0...6.5	X	X	
				230 V / 50 Hz / 4 W		0...6.5	0...6.5	X	X	
				24 V / DC / 13 W		50 % ED	–	0...8	X	X
				24 V / DC / 10 W			0...6	–	X	X
				24 V / DC / 10 W			–	0...6.5	X	X

X: on request

1.) Flow value for water, measured at +20 °C, 1 bar^{2.)} pressure at valve inlet and free outlet

2.) Measured as overpressure to the atmospheric pressure and air as a medium



3.) Number of switching cycles under laboratory conditions (FKM seal, oiled air, unpressurised): 5 million. Please note that an increase in switching pressure can limit the life of the seat seal.

Additional options

Option	Variable Code	Description
Oxygen versions	NL02	Suitable for applications with oxygen (non-metal materials that are in contact with the medium are tested and approved according to BAM)
Increased purity requirements e.g. oil, grease and silicone-free	NL50/NL05	Wetted parts are specially cleaned and packaged in accordance with the valves
Increased tightness requirements	PC04	Leakage rate *less than 10 ⁻⁷ mbar l/sec
	PC06	Leakage rate *less than 10 ⁻⁶ mbar l/sec
	PC08	Leakage rate *less or equal than 10 ⁻⁵ mbar l/sec
Vacuum version	NA02	Suitable for vacuums up to -0.98 bar
Increased purity and tightness requirements	NA03	Wetted parts are specially cleaned and leak tested to 10 ⁻⁴ mbar x l/sec
Increased purity and tightness requirements and vacuum version	NA01	Wetted parts are specially cleaned and leak tested up to 10 ⁻⁴ mbar x l/sec and suited for vacuum up to -0.98 bar

6.4. Ordering chart accessories






Accessories for manifolds

Accessory	Features	Article no.
Screw plug	With sealing ring, G 1/8	005041 
Cover plate	For unoccupied valve position	005100 

Cable plug Type 2516 acc. to DIN EN 175301 -803 Form C

Note:





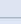
- Delivery of cable plug includes a flat seal and a fixing screw.
- Further versions of cable plug with circuitry acc. to DIN EN 175 301 -803 Form C as well as detailed technical data, see data sheet [Type 2516](#) ▶.

Cable plug	Version	Voltage	Article no.
	Without circuitry (standard)	0...250 V AC/DC	303141 
	With LED	12...24 V AC/DC	303145 
	With LED and varistor	12...24 V AC/DC	303148 
	With rectifier, LED and varistor	12...24 V AC/DC	303142 

Cable plug Type 2507 acc. to industry standard Form B

Note:

- Delivery of cable plug includes a flat seal and a fixing screw.
- Further versions of cable plug with circuitry acc. to industry standard connector Form B as well as detailed technical data, see data sheet [Type 2507](#) ▶.

Cable plug	Version	Voltage	Article no.
	Without circuitry (standard)	2...250 V AC/DC	423845 
	With LED	24 V AC/DC	423849 
	With LED and free-wheeling diode	12...24 V AC/DC	423851 
	With rectifier, LED and varistor	12...24 V AC/DC	423853 

Bürkert – Close to You

For up-to-date addresses
please visit us at
www.burkert.com

DTS 1000446515 EN Version: A Status: RL (released | freigegeben | validé) printed: 07.10.2020

